

**SUPER-MOTORIZED ZOOM LENS**

**TM50Z1040NPN f = 10-500mm F4.0 MANUAL IRIS**  
**TM50Z1040NPN-2 f = 10-1000mm F4.0 MANUAL IRIS W/Preset, inter**

**SPECIFICATION**

MODEL NUMBER		TM50Z1040NPN	TM50Z1040NPN-2
IMAGE FORMAT		1/2inch	
FOCAL LENGTH		10-500mm	10-500/-1000mm
MAXIMUM APERTURE		F1:4.0-5.6	F1:4.0-5.6/-11.2
APERTURE RATIO		F1:4.0-125	F1:4.0-125/-181
M.O.D.		4.0m	
ANGLE OF VIEW	HORIZONTAL	W35.5°T0.7°	W35.5°T0.4°
	VERTICAL	W27.0°T0.6°	W27.0°T0.3°
FILTER SIZE		M95mm P=1.0	
DIMENSIONS		W124.0×H106.0×L300.0mm	
WEIGHT		3.0kg	3.2kg
OPERATING TEMPERATURE RANGE		-20~60 Centigrade	
OPERATING HUMIDITY RANGE		65%~93%	
MOUNT		C	

● MOTORIZED IRIS

INPUT VOLTAGE	DC+6-12V
CURRENT CONSUMPTION	50mA OR LESS
MOTORIZATION SPEED	10 SECONDS (6V)
RESPONSE SPEED	APPROX.4 SECONDS

● POTENTIAL MET

CABLE COLOR
PURPLE
GRAY
ORANGE
BLUE

● FOCUS

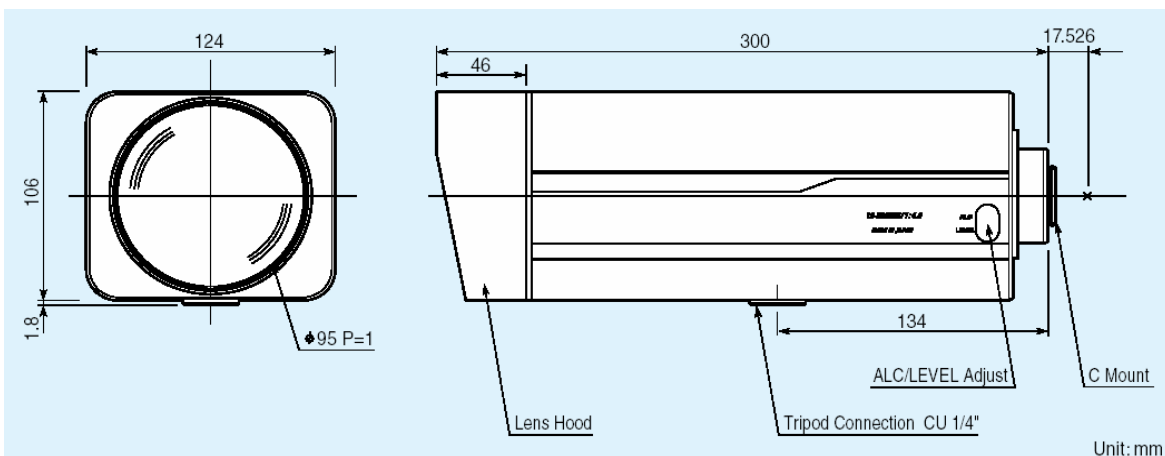
INPUT VOLTAGE	DC+6-12V
CURRENT CONSUMPTION	50mA OR LESS
MOTORIZATION SPEED	10 SECONDS (6V)

● ZOOM

INPUT VOLTAGE	DC+6-12V
CURRENT CONSUMPTION	60mA OR LESS
MOTORIZATION SPEED	8 SECONDS (6V)

● 2X EXTENDER

INPUT VOLTAGE	DC+6-12V
CURRENT CONSUMPTION	50mA OR LESS



nal 2x extend

TER-PRESET

CONNECTION
POT.SUPPLY
ZOOM POT.WIRE
POT.RETURN
FOCUS POT.WIRE

t

m

PRINTED IN JAPAN